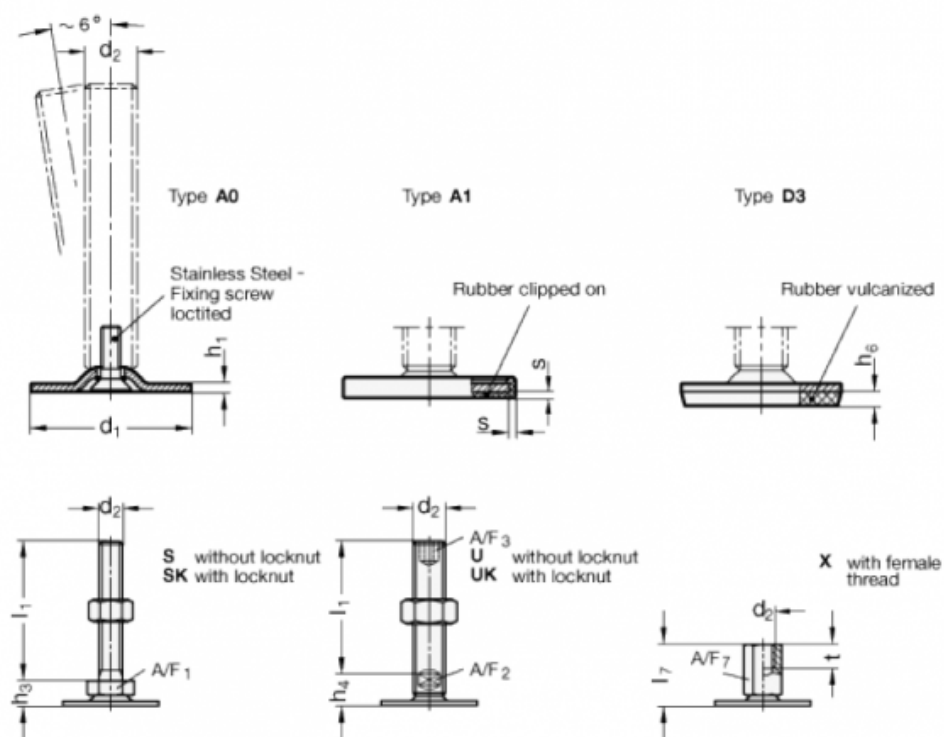


Data Sheet



Article number: 204080M1638A0X
 Description: E+G levelling foot
 GN 40-80-M16-38-A0-X
 Note: X With female thread, External hexagon

Measures



A/F7 = 22
 d_1 = 80
 d_2 = M16
 h_1 = 3
 h_6 =
 h_7 = 38
 s =
 t = 16